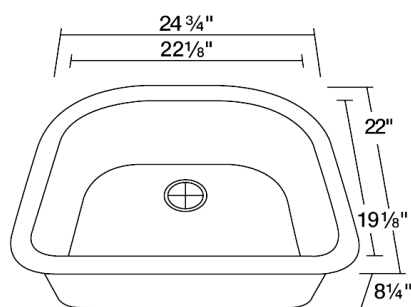


D-Bowl Composite Granite Sink

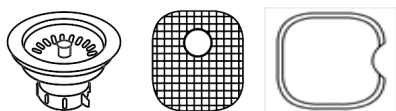
Our Composite Granite sinks come in six colors to match any countertop: slate, black, mocha, silver, white and beige.

They are made with 80% Quartzite and 20% Acrylic, and have a non-porous surface that gives the sink antibacterial properties. They are extremely scratch resistant, can withstand temperatures up to 550 Degrees, and are unaffected by household acids and cleaners. They are also completely stain resistant. All undermount sinks come with a cardboard cutout template and mounting hardware.

Dimensions



Accessories

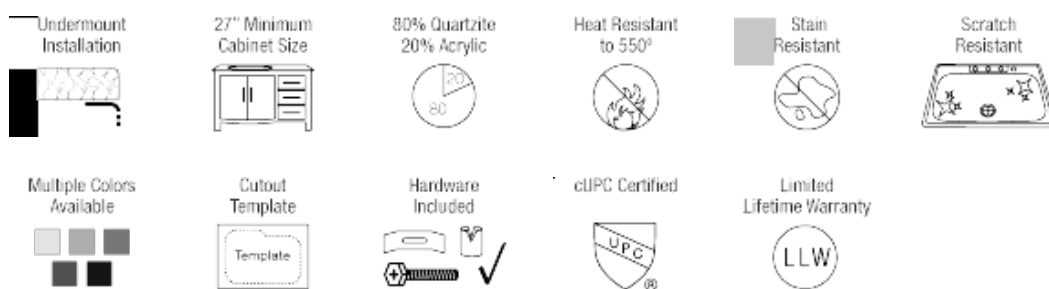


S428ST

24 3/4" x 22" x 8 1/4"



Features



Tech Specs

- Available in Beige, Black, Mocha, Silver, Slate, and White.
- Undermount Installation
- Made with 80% Quartz, 20% Acrylic
- All-Natural Materials - Eco-Friendly and Recyclable
- Offset Drain
- Heat Resistant to 550 Degrees
- Stain Resistant
- Scratch Resistant
- Multiple Colors Available
- Installation Hardware Included
- Lifetime Warranty
- Acrylic Provides Sound Dampening - No Pads Needed